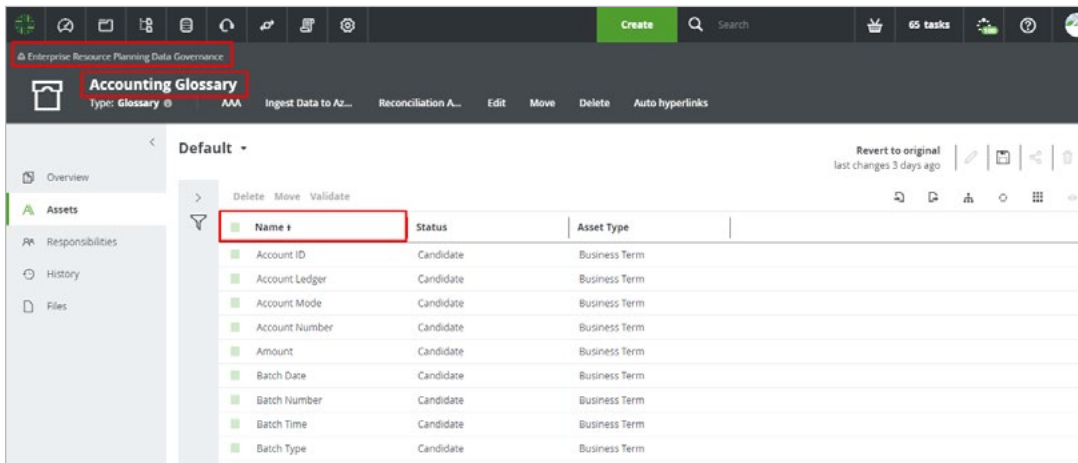


Integration with Collibra

YourDataConnect has developed a solution to ingest metadata from Collibra.

Collibra Data Governance Center

Collibra Data Governance Center is a data governance platform that automates and supports data governance and data management, giving organizations the opportunity to deliver trustworthy data to business users and the data steward community. Figure 1 shows the community, domain, and business terms in Collibra.

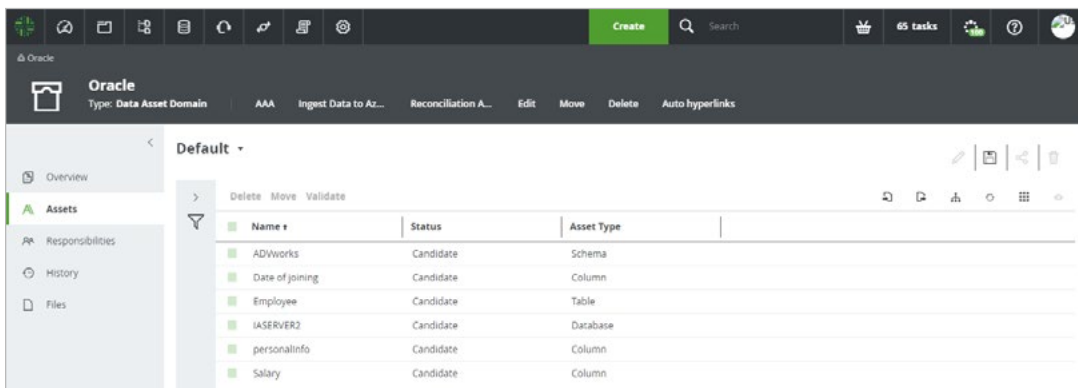


The screenshot shows the Collibra Data Governance Center interface. The main content area displays a table of terms under the heading 'Accounting Glossary'. The table has columns for Name, Status, and Asset Type. The 'Name' column is highlighted with a red box. The table lists various accounting terms, all with a 'Candidate' status and 'Business Term' asset type.

Name	Status	Asset Type
Account ID	Candidate	Business Term
Account Ledger	Candidate	Business Term
Account Mode	Candidate	Business Term
Account Number	Candidate	Business Term
Amount	Candidate	Business Term
Batch Date	Candidate	Business Term
Batch Number	Candidate	Business Term
Batch Time	Candidate	Business Term
Batch Type	Candidate	Business Term

Figure 1: Community, domain, and business terms in Collibra

Figure 2 shows the database, schema, table, and column in Collibra.



The screenshot shows the Collibra Data Governance Center interface for an Oracle database. The main content area displays a table of terms under the heading 'Oracle'. The table has columns for Name, Status, and Asset Type. The table lists various database-related terms, all with a 'Candidate' status and different asset types such as 'Schema', 'Table', 'Database', and 'Column'.

Name	Status	Asset Type
ADWorks	Candidate	Schema
Date of joining	Candidate	Column
Employee	Candidate	Table
IASERVER2	Candidate	Database
personalInfo	Candidate	Column
Salary	Candidate	Column

Figure 2: Database, schema, table, and column in Collibra

Integration of Collibra with YourDataConnect

YourDataConnect has developed a solution to import community, domain, business term, database, schema, table, and column metadata from Collibra while maintaining the hierarchy between the Collibra objects (see Figure 3).

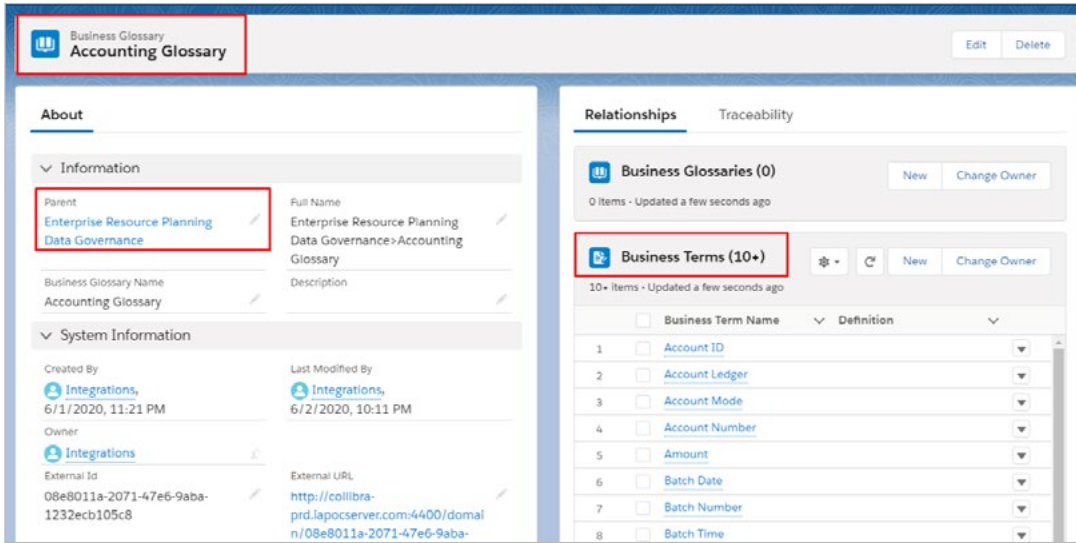


Figure 3: Collibra glossary and terms in YourDataConnect

Figure 4 shows the end to end traceability in YourDataConnect

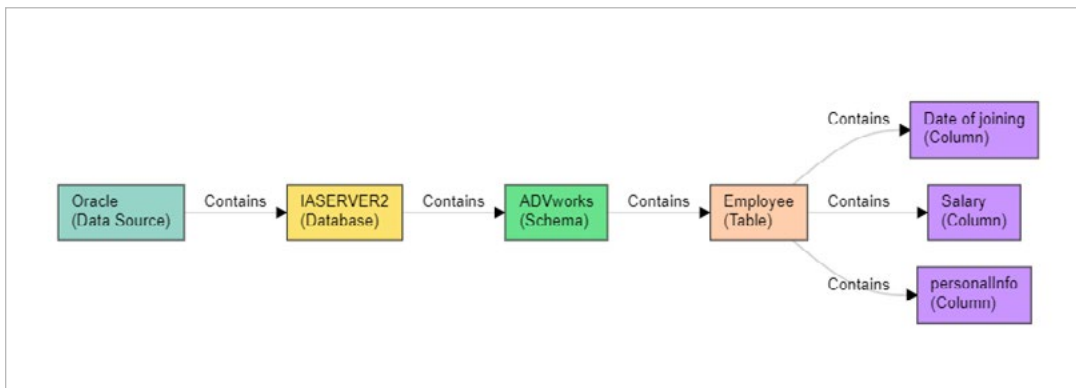


Figure 4: End-to-end traceability of Collibra in YourDataConnect



To learn more about this solution, please request a demo by contacting info@yourdataconnect.com or visit our website at yourdataconnect.com.